

S7900

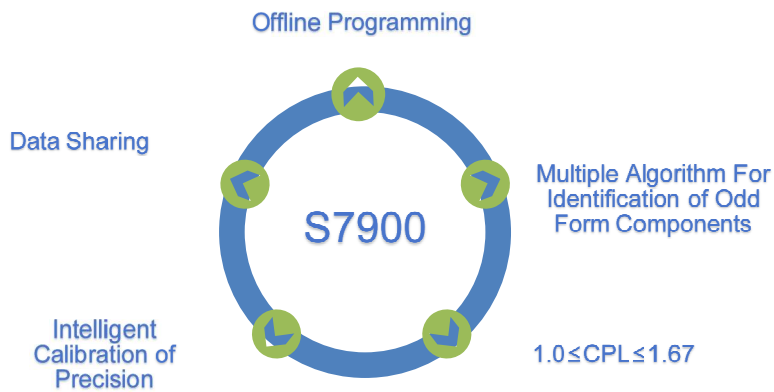
ODD FORM INSERT MACHINE



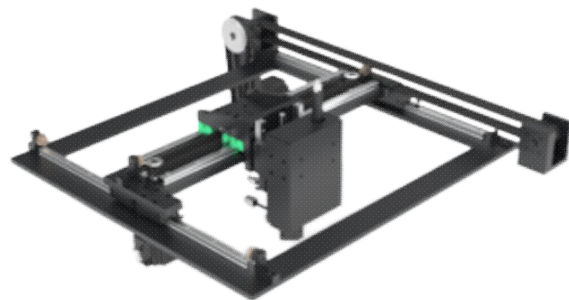
PRODUCT FIELDS OF USE



PRODUCT ADVANTAGES



PRODUCT FEATURE



- **Function:** Supports automatic lead bending to prevent floating during welding.
- **Specs:** Lead diameter < 1.0mm; exposed lead ≥ 2 mm (subject to final design).



Outward bend



Inner bend



Circular(no direction, angle)



2 Turns(with specified angle)

As shown in the figure, there are 4 types of outward bending, inner bending, circular bending and 2 turns bending

PRODUCT SPECIFICATION

Specification	Model					
	S7900-II	S7900-IV	S7900-IV-P	S7900-VI	S7900-VI-P	
Model	S7900-II	S7900-IV	S7900-IV-P	S7900-VI	S7900-VI-P	
Size(LxWxH)	1050×1680×1870mm	1300×1700×2000mm	1550×1900×2100mm	1300×1700×2000mm	1550×1900×2100mm	
Weight	1250 kg	1650 kg	1750 kg	1730 kg	1800 kg	
Operation System	Windows					
No. Of Door	Single Side			DoubleSide	Single Side	
Safety Grating (Door)	Standard Configuration					
Air Supply	0.5-0.65 MPa(ANR)					
Max Power	4.5 KW	5.4 KW	6.6 KW	5.2KW	6.3KW	
Run Power	2 KW	3.3 KW		3.5 KW		
No. of Insertion Heads	2	4	4	6	6	
Max Component Size	φ 50 (35×35)mm			φ 30 (17×17)mm	φ 50 (35×35)mm	
Component Height	≤25mm	≤30mm	≤25mm	≤20mm	≤30mm	
Component Feeding Type	Nozzle/Clamp					
Speed /each Component	0.8 S	0.7 S	2S (with lead clinching)	0.6 S	0.6 S	
PlacementAccuracy CPK≥	±0.06mm	±0.06mm	±0.05mm	±0.06mm	±0.05mm	
Insert Power	≤29.4N	≤98N	≤29.4N	≤29.4N	≤29.4N	
Insertion Direction	0-360°					
Insert ComponentObject	Connector, Switch, Socket Transformer Coils, Ports, Capacitors, Resistors, IC, Etc					
PCB Size(LxW)	70×70~300×500 mm	70×70~410×500 mm	70×70~450×400 mm	70×70~410×350 mm	70×70~410×360 mm	
Carrier Size (LxW)	Max 350×500mm	Max 500×500mm	Max 500×550mm	Max410×350mm	Max 410×360mm	
PCB thickness	0.6-2.0mm					
Conveyor Space	25 mm/20 mm	30 mm/20 mm	25 mm/20 mm	20 mm/20 mm	30 mm/20 mm	
Max. PCB Weight	5 Kg			2 Kg	5 Kg	
PCB included side width	≥5mm					
PCB Fixed Type	Sero/Cylinder clamping					
Conveyor Type	Chain			Belt	Chain	
PCB Direction	Rto L/Lto R					
Conveyor Section	3					
Conveyor Adjusting	Auto					
Conveyor Height	750±20mm	900±20mm				
Lead Clinching Unit	/	/	Standard	/	Option	
SMEMA	Standard Configuration					
MES Connection	Standard Configuration					
Vision System	Mark CCD (Top)	1				
	Component CCD(Bottom)	2	4	4	2	6
Max Stations	201 Radial Tape Feeder	4	6	6	10	6
	218 Radial Tape Feeder					
	207 Radial Tape 90° Feeder	6	12	12	20	12
	259 Radial Tape Feeder					
	254 Radial Tape Feeder	4	6	6	10	6
	202 Axial Tape Feeder					
	222 Tube Feeder	6	12	12	20	12
	203 Tube Feeder	4	6	6	10	6
205 Bowl Feeder	4	4	4	8	4	
Tray Feeder	1	1	1	2	1	

Remark:If different types feeders mixed using, the num.of feeders are depended on combination.

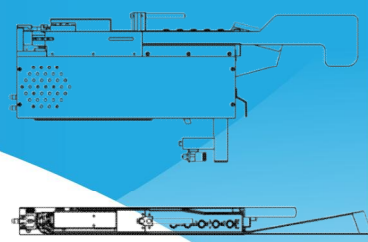
*1 Air source is atmospheric pressure Frost point: -17°C or less, particulate powder: particle size 5μm or less, and maximum oil concentration: 5mg/m³ or less, in addition to the machine installation requires an air source

*2Varies depending on the conditions of use

*3Depending on different components

*4The use of the plug-in foot bend module replaces the top plate mechanism.

*5Only provide the original factory setting information. Need to be customized to match the customer's system (optional items)



STANDRD TAPE FEEDER



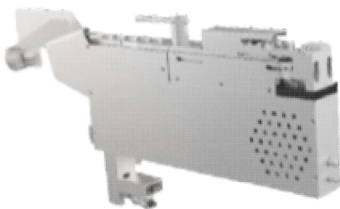
AXIAL TAPE FEEDER

- Tailored Design (For Axial Leaded Tape Components)
- Dual Machine Compatibility (SMT & AI Machines)
- Wide Component Compatibility (Resistors, Capacitors, Fuses, etc.)
- Efficient Feeding (1.1 - 1.5 Sec/Pcs)
- Stable Operation (Reliable in Production)
- Low Maintenance (Cost-Effective in the Long Run)



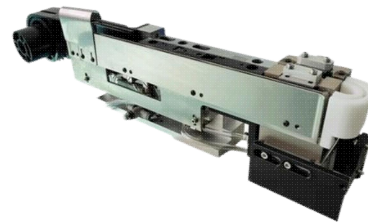
RADIAL TAPE 90° FEEDER

- Technology Convergence (Supports SMT and THT equipment)
- Diverse Component Management (Handles components such as capacitors, resistors, LEDs, and transformers)
- Precise Feeding (Motor-driven, with a maximum pitch of 22.5mm and a 90° bent lead function)
- Superior Performance (High-speed and stable operation)
- Low Maintenance Cost (Low maintenance requirements)



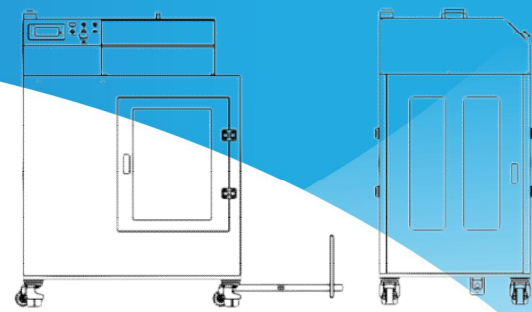
RADIAL TAPE FEEDER

- Compact Design (624mm×48mm×175mm, 5.5Kg)
- Electric Feeding (DC24V, 4A, 2N/M, 0.8 - 1.0Sec/Pcs)
- Flexible Operation (Multiple Function Buttons)
- Precise Adjustment (Tape Cutting and Component Lead Length)
- Compatibility Switching (0.4 - 0.8MM Tape Materials)
- Easy Maintenance (Regular Maintenance and Inspection)

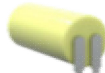


CUSTOMIZATION RADIAL/AXIAL TAPE FEEDER

- Extensive Component Handling Capability (Odd-Shaped and Standard Components: Connectors, Surface Mount Devices, etc.)
- Flexible Interchangeability and Upgradability (Compatible with Multiple Devices)
- High Cost-Effectiveness (High Reliability)
- Diverse Component Feeding (Odd-Shaped and Conventional Components)
- Wide Platform Compatibility (Mainstream Surface Mount Platforms: **JUKI, Panasonic, FUJI, SIPLACE**)
- Intelligent Host Platform Communication (Enable Efficient Data Interaction)



CUSTOMIZED TRAY FEEDER



SMALL SIZE BOARD BIG SIZE CAPACITANCE Inductive Coil



Multi-functional Balanced Tray Feeder

- Balanced Design (Size & Weight)
- Efficient Dual Drive (0.5 - 0.8MPa, 2000W)
- User-Friendly Interface (Buttons & Screen)
- Precise Comp. Handling (Tray Specs)
- Wide Range of Compatible Components (SMDs, Small Passives, Odd-Shaped)
- Effective Alarm & Longevity (Alarm & Maint. for Durability)

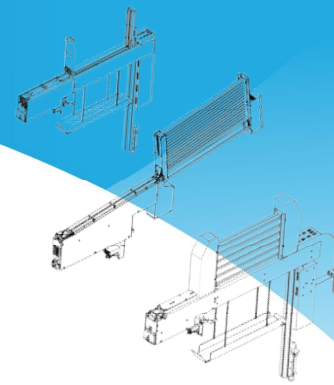
Precision Programmable Tray Feeder

- Compact & Adjustable (Size & Height)
- Powerful Drive (AC220V, 2000W, 0.5 - 0.8MPa)
- Versatile Prog. (Multi-Param. Set)
- Precise Tray Manag. (Given Size/Weight)
- Wide Range of Compatible Components (Small ICs, Transistors, Precision Resistors)
- Easy Oper. & Maint. (Simple & Regular)



General-purpose Heavy-duty Tray Feeder

- High Load & Stable Structure (200Kg)
- Efficient Drive (0.4MPa, 100W)
- Intuitive Operation (Touch & Buttons)
- Precise Tray Handling (Specified Dim.)
- Wide Range of Compatible Components (resistors, capacitors, diodes, and small connectors)
- Effective Alarm & Maint. (Clear Alarms, Regular Tasks)

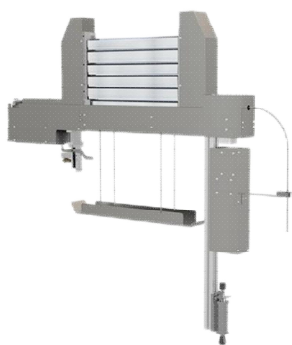


STANDRD TUBE FEEDER

General-purpose
High-efficiency
Tube Feeder

Multi-functional
Stable Tube Feeder

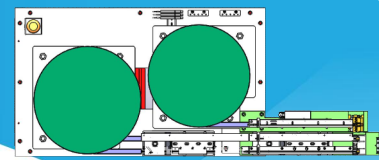
Precision Lightweight
Tube Feeder



- Fast Feeding (0.8 - 1.0 Sec/Pcs)
- Multi-machine Adaptability (Applicable to Any Brand of Equipment)
- Strong Compatibility (Applicable to Relays, Transformers, etc.)
- Stable Operation (Pneumatic + Electric Principle)
- Optional Sizes (Customizable for Sizes up to 50 * 50 * 50)
- Moderate Load Capacity (Up to 4kg)

- Efficient Feeding (0.8 - 1.5 Sec/Pcs)
- Wide Compatibility (For All Brands of Mounting and Insertion Machines)
- Precise Handling (Applicable to Relays, Transformers, etc.)
- Stable Operation (Electric + Pneumatic Control)
- Flexible Customization (Customizable for Sizes up to 50 * 50 * 50)
- Low Load Design (Up to 2kg)

- Stable Feeding (0.8 - 1.5 Sec/Pcs)
- Wide Compatibility (Compatible with All Brands of Equipment)
- Precise Adaptation (For Components like Relays within 30 * 22 * 40mm)
- Efficient Operation (Pneumatic + Electric Drive)
- Lightweight Design (Less than 0.5kg per Tube)
- Compact Size (1128mm * 48mm * 1060/1210mm)



I CUSTOMIZED BOWL FEEDER

SINGLE LAYER BOWL FEEDER



- Wide Range of Materials (ICs, Crystals, etc.)
- Compatible with SMT & Insertion Machines
- Multifunctional (Feeding, Positioning, Customizable)
- High Efficiency (Fast & Stable Operation)
- Low Maintenance
- Flexible Customization

DOUBLE LAYER BOWL FEEDER



- Various Components (Connectors, Terminals, etc.)
- Fits Insertion Machines
- Dual-layer Structure (Space-saving & Efficient)
- Customizable
- High Feeding Efficiency
- Good Space Utilization

MULTIFUNCTIONAL BOWL FEEDER



- For LEDs & Capacitors
- Auto Polarity Detection & Adjustment
- Cost-effective
- Stable & Safe
- Customizable
- Versatile Functions

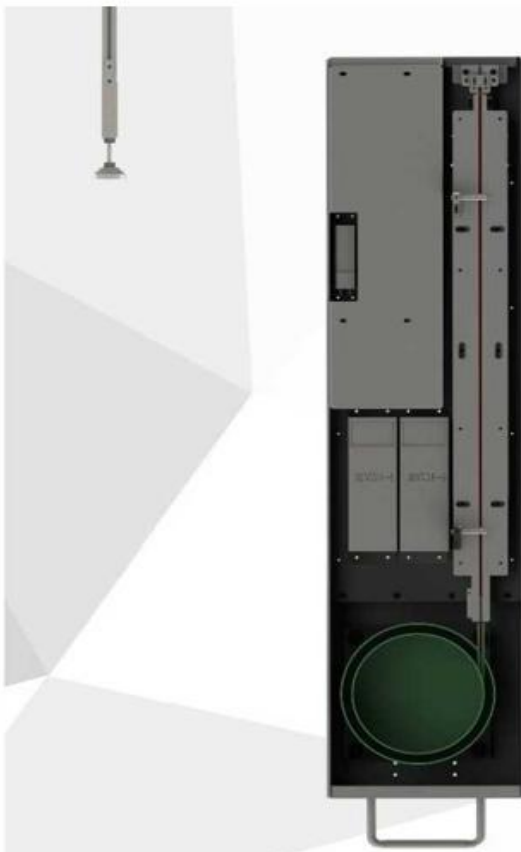
MBF-2003 MINI BOWL FEEDER

This feeder is use for SMT mounter machine,feeding such as:
terminals/crystals/IC/Chip Diode/SMD triode/hardware parts.

Suitable for **Panasonic,Juki,Fuji,ASM,Universal**,etc.almost all brands
of mounter,which is with height mechanical matching and
communication to machine.



Feeder is
generally made of steel and aluminum alloy,which guarantees
the body stabilityjow loss and long life.



Dimensions L*W*H :850*200*930 mm

Power supply: 110/220 V

Cycle time: < 0.8 sec.

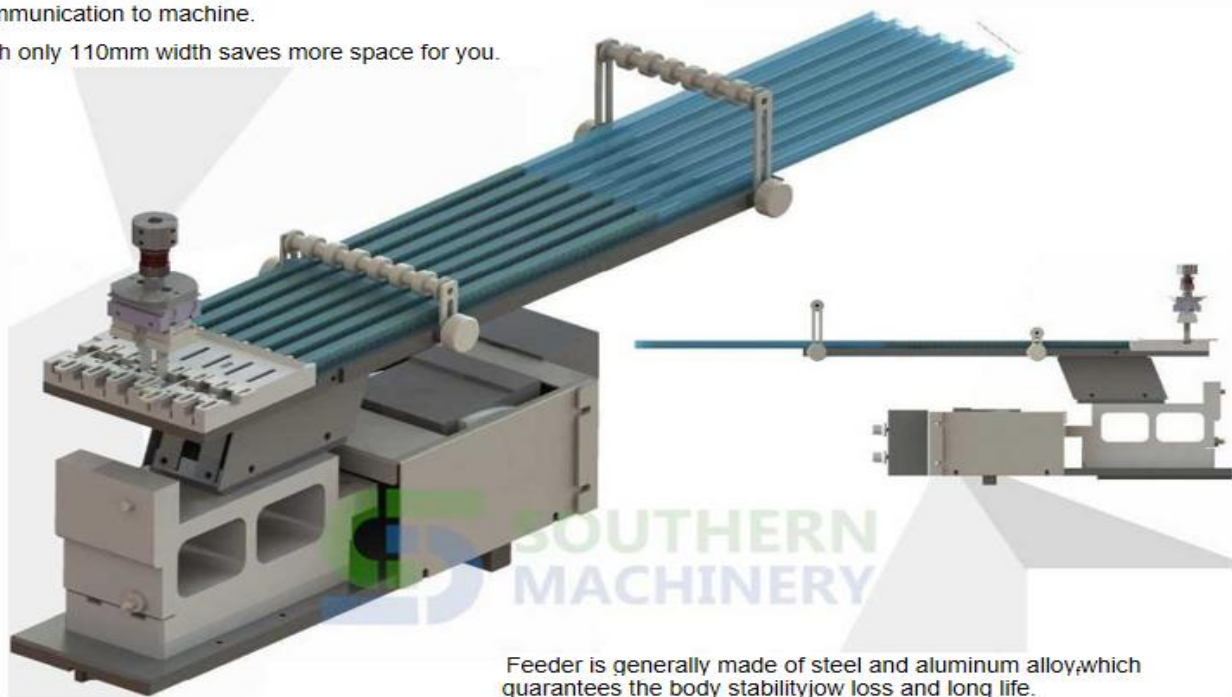
Control by: Vibration AMP (V&Hz)

VTF-1007 VIBRATION TUBE FEEDER 7^{LANE}

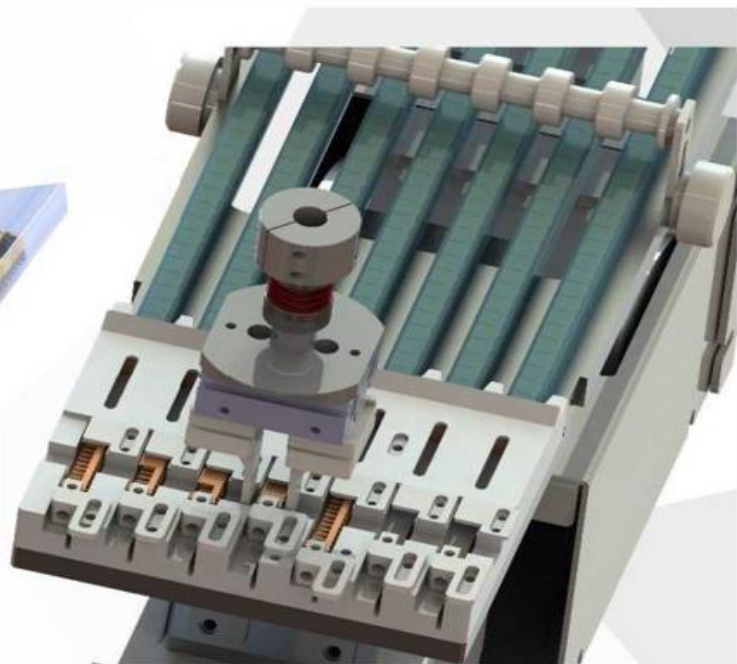
This feeder is use for SMT mounter machine,feeding tubes of components such as:
capacitor/safety capacitor/IC/Keys/triode/LED.

Suitable for **Panasonic, Juki, Fuji, ASM, Universal**, etc. almost all brands
of mounter, which is with height mechanical matching and
communication to machine.

With only 110mm width saves more space for you.



Feeder is generally made of steel and aluminum alloy, which
guarantees the body stability, low loss and long life.



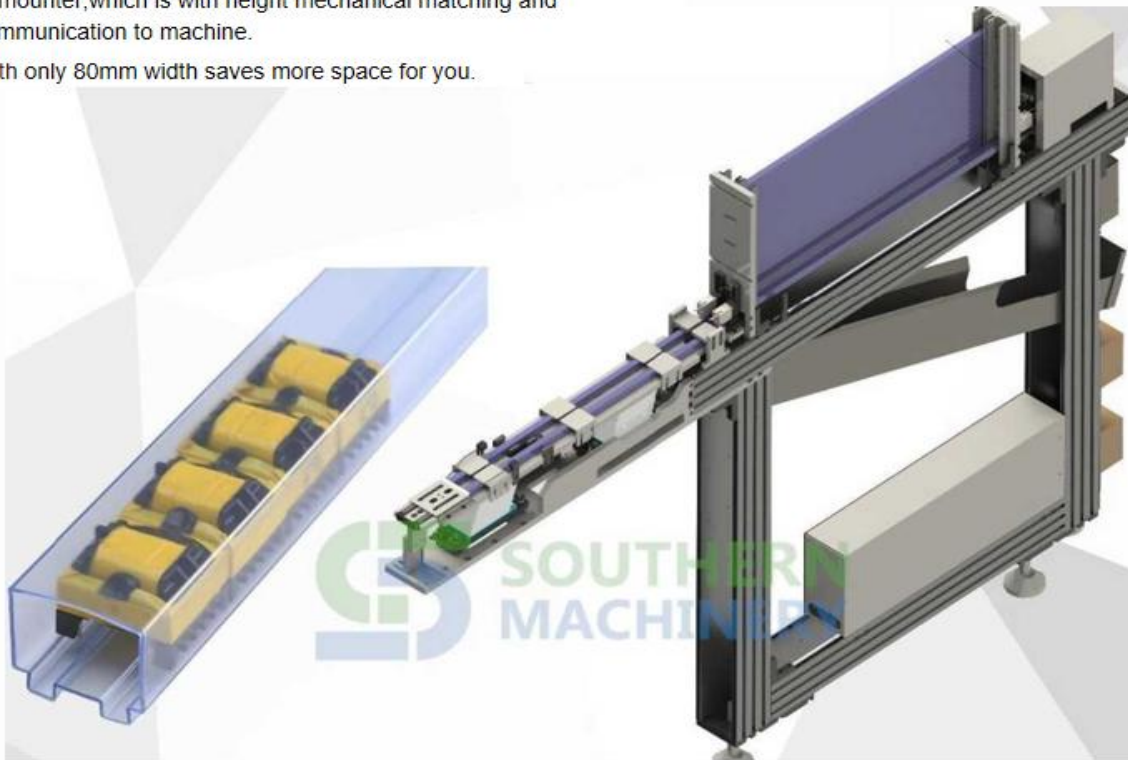
Dimensions L*W*H : 460*110*173 mm
Power supply: 110/220 V
Cycle time: < 0.8 sec.
Control by: Vibe AMP
MAX Load: 7 Tubes

STF-1002 STACKED TUBE FEEDER DUAL LANE

This feeder is use for SMT mouter machine,feeding tubes of components such as: capacitor/safety capacitor/IC/Keys/triode/hardware parts.

Suitable for **Panasonic, Juki,Fuji,ASM, Universal**, etc.almost all brands of mouter,which is with height mechanical matching and communication to machine.

With only 80mm width saves more space for you.



Feeder is generally made of steel and aluminum alloy,which guarantees the body stability,low loss and long life.



Dimensions L*W*H :1460*80*1148 mm

Power supply: 110/220 V

Cycle time: < 0.8 sec.

Control by: PLC & sensors

MAX Load:40 Tubes

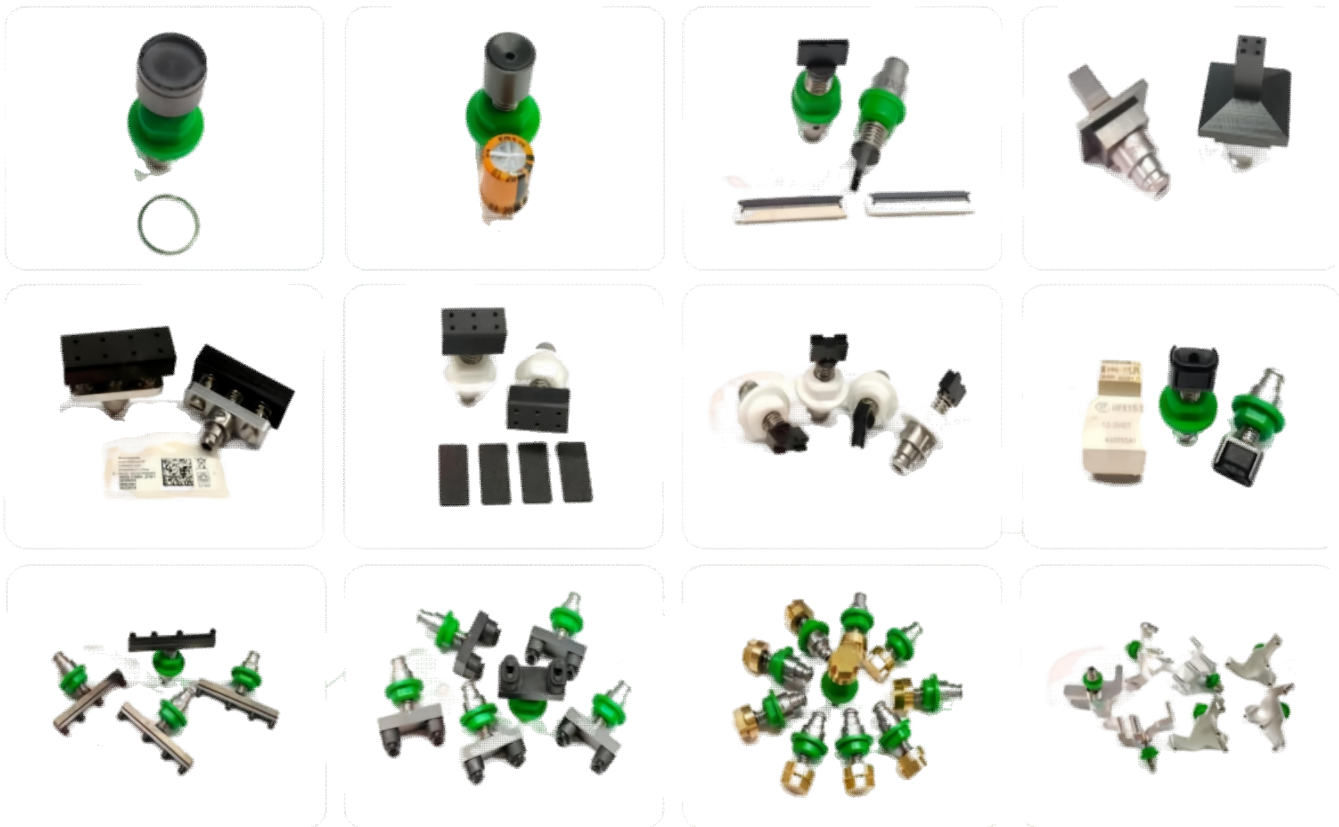


| CUSTOMIZED GRIPPER&NOZZLE

ODD FORM CUSTOMIZED
NOZZLE



CUSTOMIZED NOZZLE JUKI

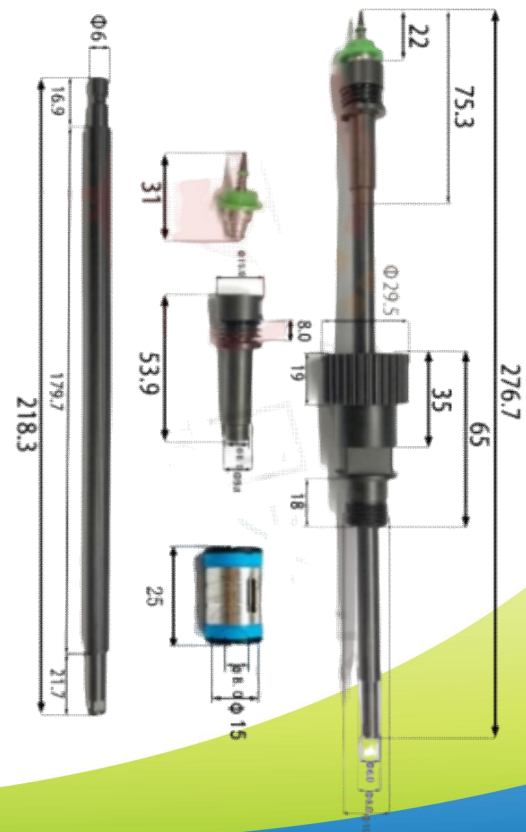
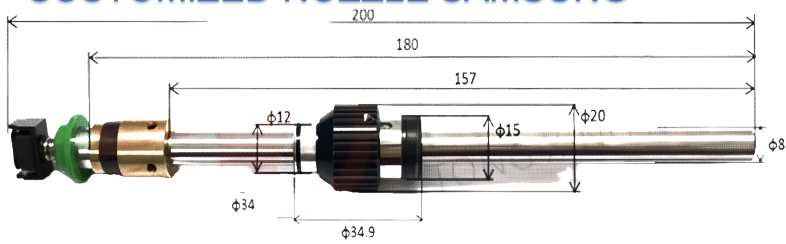


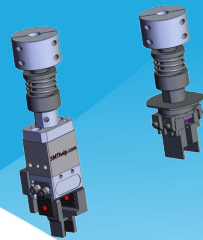


CUSTOMIZED NOZZLE YAMAHA



CUSTOMIZED NOZZLE SAMSUNG





CUSTOMIZED GRIPPER&NOZZLE

CUSTOMIZED GRIPPER

24JD04



WELCOME INQUIRY

Please visit www.smthelp.com

Find us more <https://www.facebook.com/autoinsertion>

Know more our team <https://cn.linkedin.com/in/smtsupplier>

Welcome to our factory in Shenzhen China

See more machine working video, please Youtube [Smthelping](https://www.youtube.com/channel/UCmthelping)

Google Auto+insertion, to get more informations

Looking forward to your email info@smthelp.com

www.SMThelp.com

